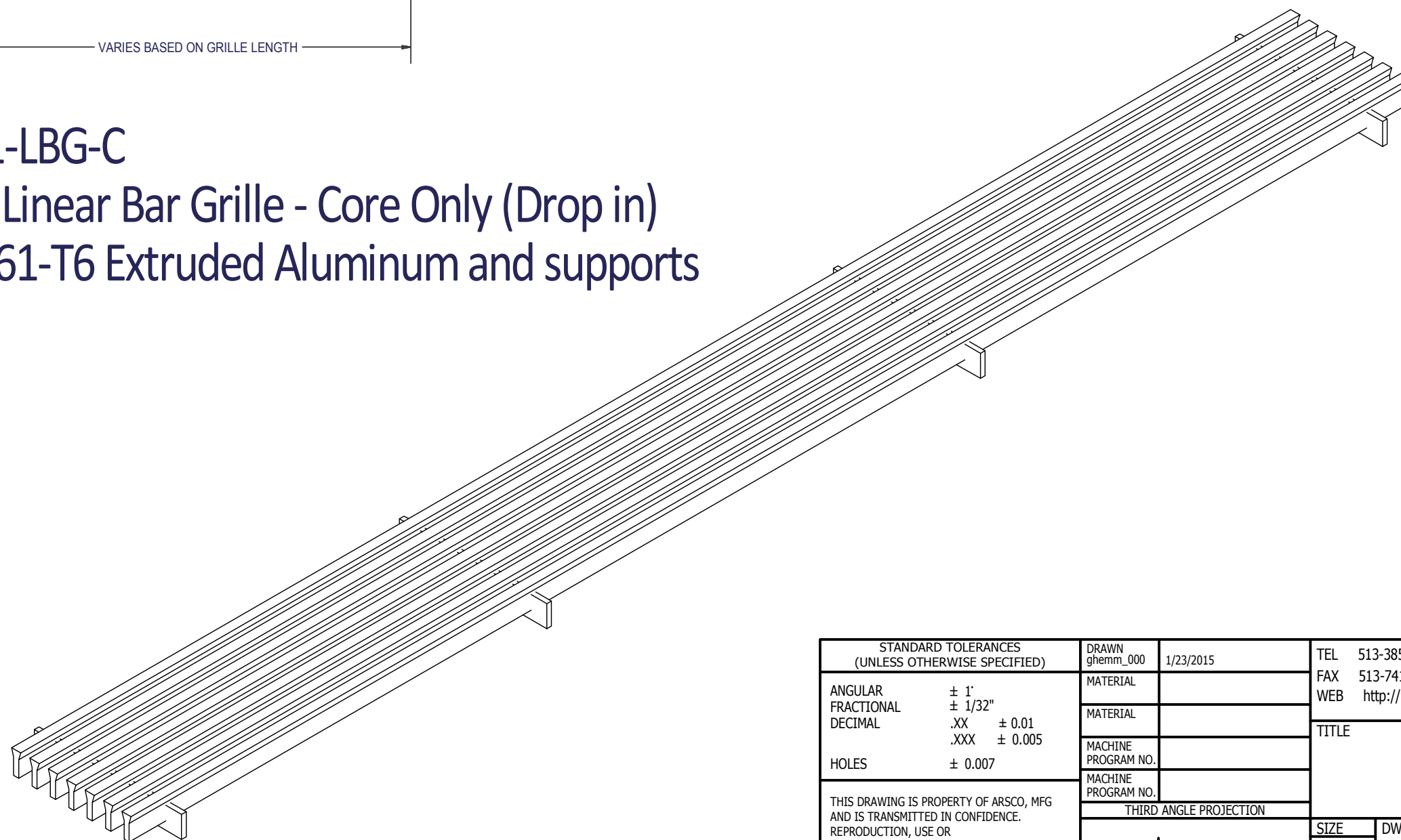


Model: ARS1-LBG-C

Description: Linear Bar Grille - Core Only (Drop in)

Material: 6061-T6 Extruded Aluminum and supports



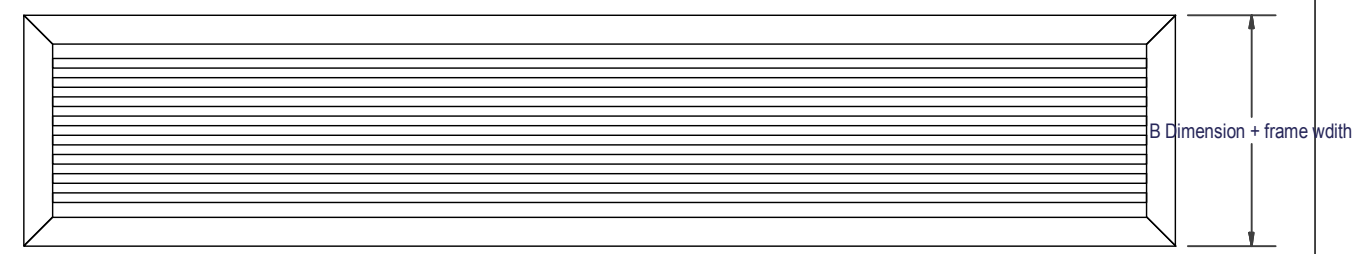
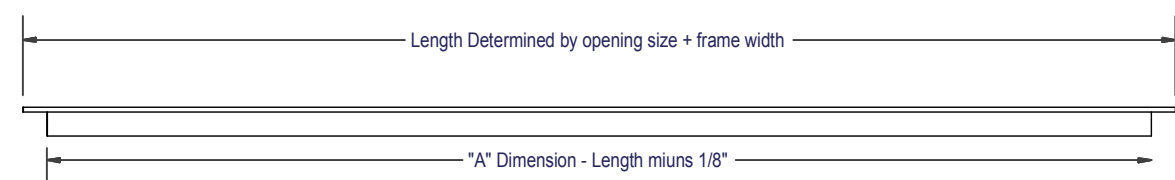
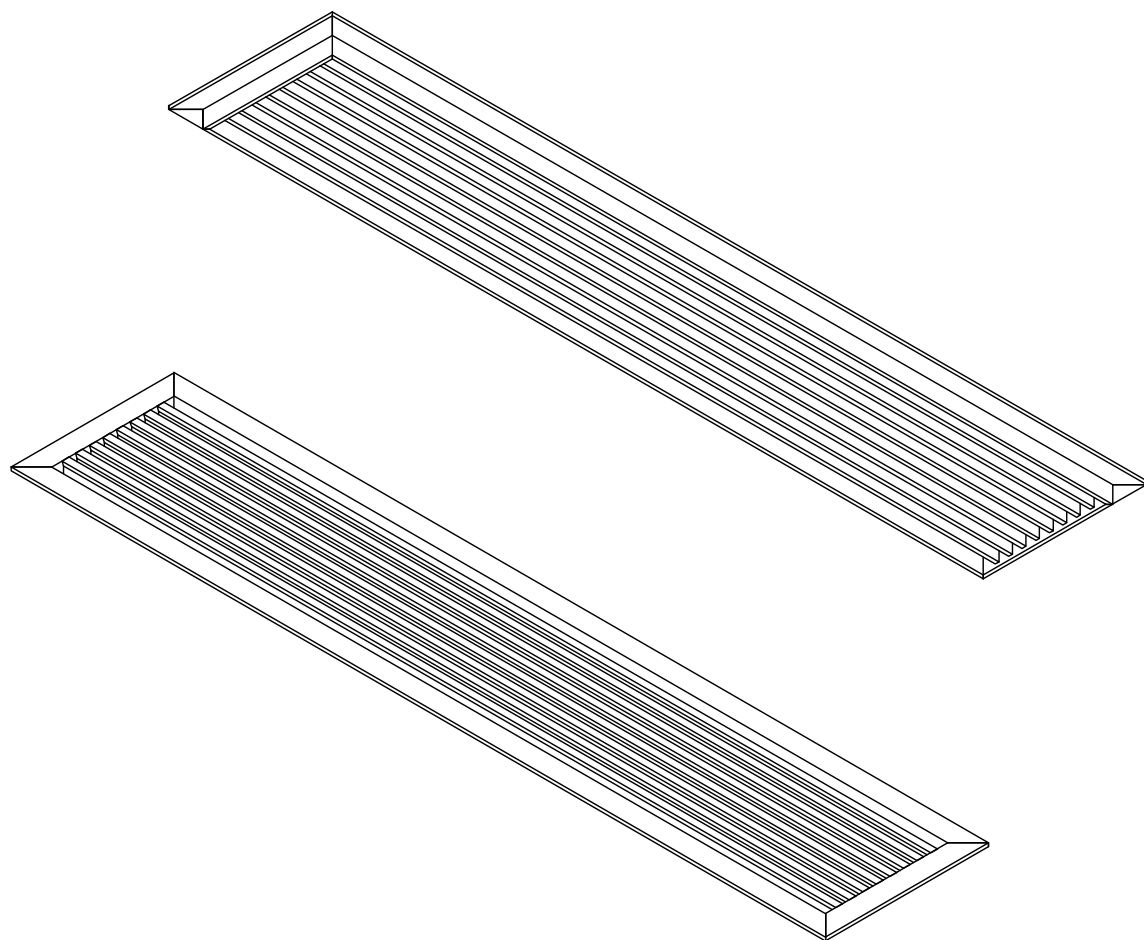
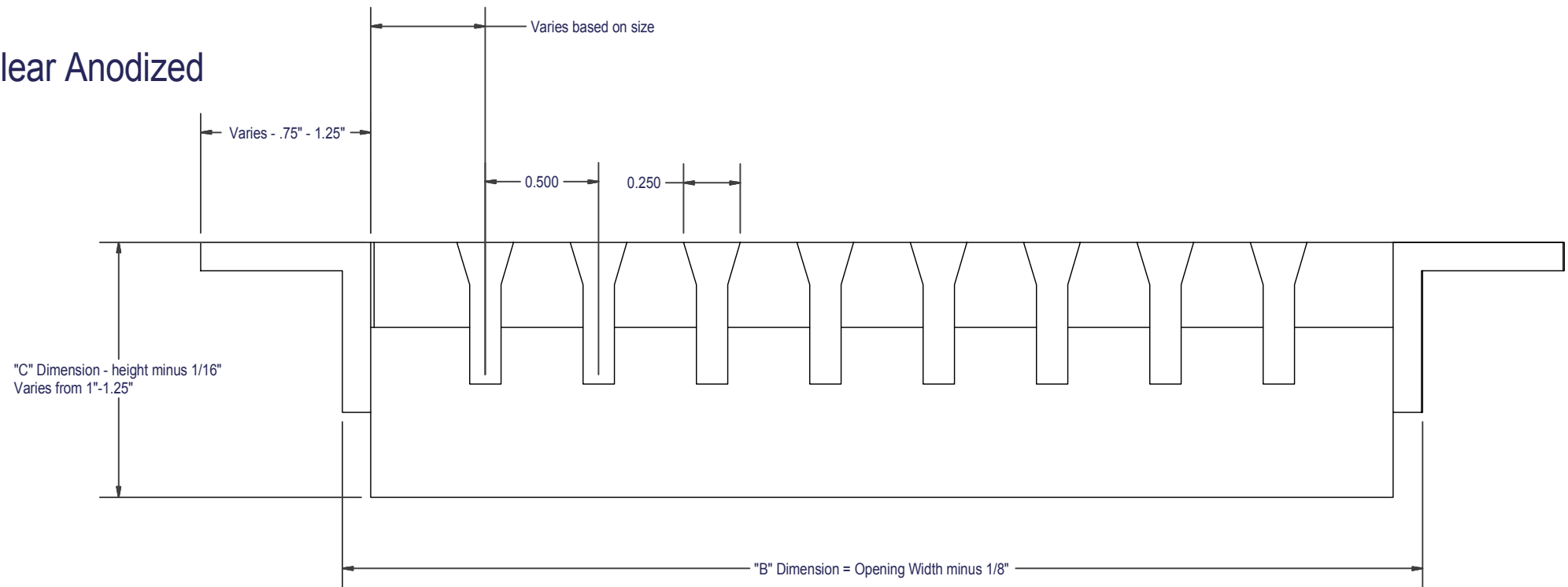
STANDARD TOLERANCES (UNLESS OTHERWISE SPECIFIED)		DRAWN ghemm_000	1/23/2015	TEL 513-385-0555	ARSCO MFG				
ANGULAR	± 1'	MATERIAL		FAX 513-741-6292	5313 ROBERT AVE.				
FRACTIONAL	± 1/32"	MATERIAL		WEB http://www.arscomfg.com	CINCINNATI, OHIO 45248				
DECIMAL	.XX ± 0.01	MACHINE PROGRAM NO.		TITLE					
	.XXX ± 0.005	MACHINE PROGRAM NO.							
HOLES	± 0.007	THIRD ANGLE PROJECTION		SIZE	DWG NO.	ARS0001-01A			
THIS DRAWING IS PROPERTY OF ARSCO, MFG AND IS TRANSMITTED IN CONFIDENCE. REPRODUCTION, USE OR DISCLOSURE, IN WHOLE OR IN PART, OF DESIGN AND DETAILS CONTAINED HEREIN IS PROHIBITED WITHOUT WRITTEN PERMISSION OF ARSCO, MFG.				B	FILE NAME	ARS0001-01A.iam	REV		
				SCALE	AS NOTED	DATE	1/23/2015	SHEET	1

Model: ARS1-LBG-F

Material: 6061-T6 Extrusion / 5052-H32 Aluminum

Finish's Available:

White, Soft White, Antique, Gray, Brown, Black, Mill & Clear Anodized



STANDARD TOLERANCES (UNLESS OTHERWISE SPECIFIED)		DRAWN Administrator	6/16/2015	TEL 513-385-0555	ARSCO MFG 5313 ROBERT AVE. CINCINNATI, OHIO 45248	
ANGULAR	± 1'	MATERIAL		FAX 513-741-6292	TITLE	
FRACTIONAL	± 1/32"	MATERIAL		WEB http://www.arscomfg.com		
DECIMAL	.XX ± 0.01 .XXX ± 0.005	MACHINE PROGRAM NO.				
HOLES	± 0.007	MACHINE PROGRAM NO.				
THIS DRAWING IS PROPERTY OF ARSCO, MFG AND IS TRANSMITTED IN CONFIDENCE. REPRODUCTION, USE OR DISCLOSURE, IN WHOLE OR IN PART, OF DESIGN AND DETAILS CONTAINED HEREIN IS PROHIBITED WITHOUT WRITTEN PERMISSION OF ARSCO, MFG.		THIRD ANGLE PROJECTION		SIZE	DWG NO.	ARS1-F
				B	FILE NAME	ARS1-F.iam
				SCALE	DATE	REV
				AS NOTED	6/16/2015	1
				SHEET		1